

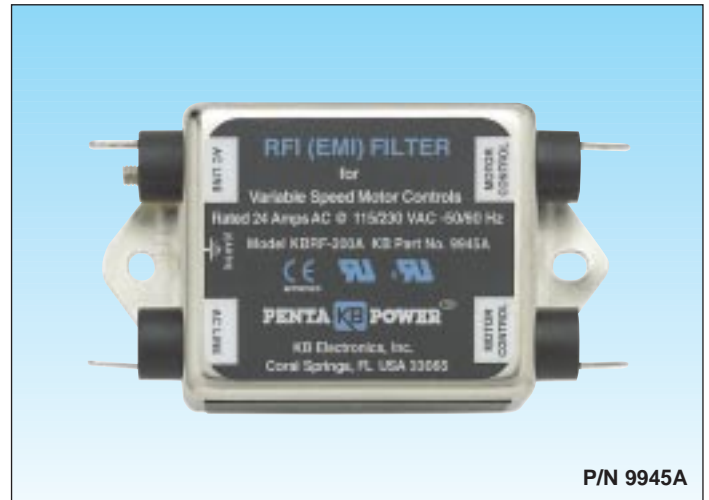
KBRF-200A

RADIO FREQUENCY INTERFERENCE (RFI) FILTER

CE Approved Component
(EN55011)

Meets CE Requirements for RFI Suppression
on Motor Speed Controls*

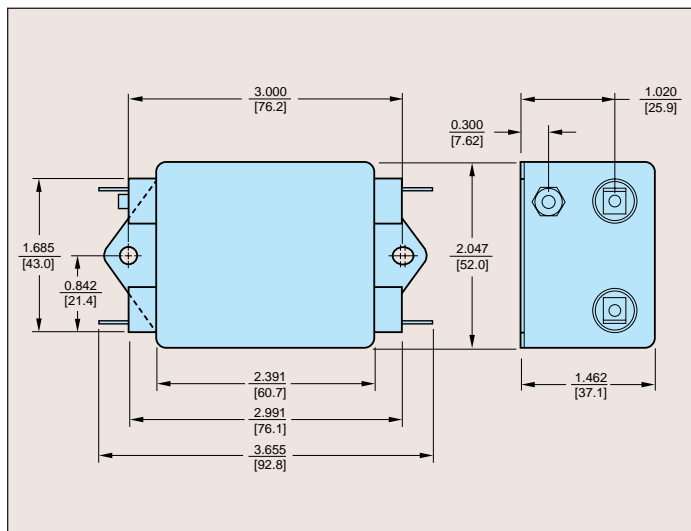
* When installed in accordance with the procedures outlined, the motor speed control will comply with "CE" Council Directive 89/336/EEC relating to EMC.



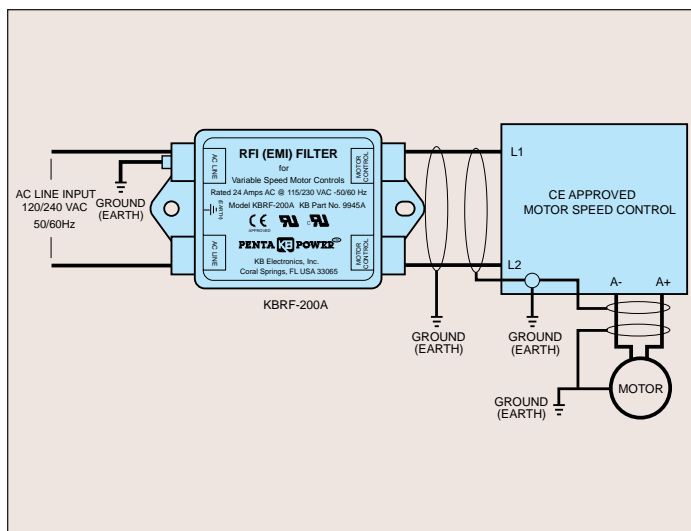
P/N 9945A

MECHANICAL SPECIFICATIONS

INCHES
[mm]



CONNECTION DIAGRAM



DESCRIPTION

Model KBRF-200A is an RFI filter used to suppress electronic interference caused by motor speed controls. These controls utilize SCR's or transistors that switch on and off rapidly causing high frequency interference pulses. These pulses are easily transmitted through the AC power lines which can then enter other equipment wired to the same line. In addition, once the interference is allowed to conduct through the power lines, the wires become radio antennas which actually radiate electromagnetic energy through the air. The energy, whether conducted or radiated, is called Radio Frequency Interference (RFI) and is most pronounced between .5MHz-1.5MHz, which is the AM broadcast band. Although the interference is usually not noticeable, except for static on an AM radio, it could affect sensitive electronic equipment in some instances. The KBRF-200A is an RFI filter which has been designed to limit the interference to within acceptable levels as determined by the CE Council Directive 89/336/EEC relating to EMC. The unit is compact in size (approx. 4.4" L x 2.9" W x 1.5" D) and installs easily via quick-connect terminals. It is housed in a plated steel case which is to be grounded via an external ground screw or mounting tab. Complete installation instructions are included.

SPECIFICATIONS

24 Amps AC Maximum – 115/230 VAC – 50/60 Hz
 Temperature Operating Range: 0 – 50 °C
 Frequency Range 9 KHz – 30 MHz
Per EC Specification EN55011
 Earth Leakage 2.0 mA @ 250 VAC/50 Hz

© 1998 KB Electronics, Inc.



A Complete Line of Motor Drives

KB ELECTRONICS, INC.
 Distributed by ELECTROSALES CO., INC.
 100 Fellsway West, Somerville MA 02145 U.S.
 Phone: +1 (617) 666-0500 ~ FAX +1 (617) 628-2800
 www.electrosales.com/KB