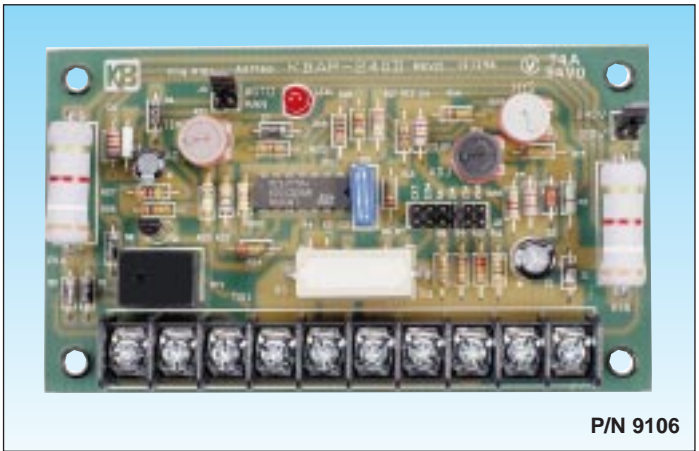


# KBAP-240D

## CURRENT SENSING RELAY and OVERLOAD PROTECTOR

Designed For Use With  
DC Motors and Controls  
From 1/8 – 3 Hp



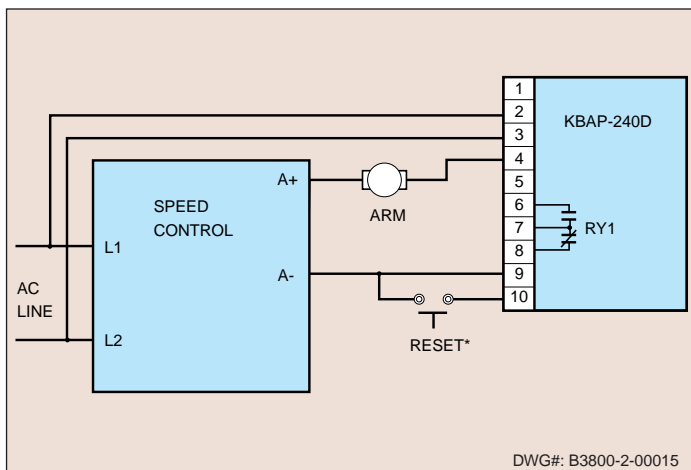
### SPECIFICATIONS

AC Power Requirement	.... 115/230 ± 15% VAC-50/60 Hz
Current Sensing	
Trip Points	..... 2.5/5/10/15/20/Ext. Amps DC
Current Trimpot Range	
(Approx.)	..... 50 – 150% of Trip Point
Trip Time Range	..... .2 – 15 Secs.
Hysteresis Trimpot Range	
(Approx.)	..... ± 30% of Current Trip Point
Temperature Drift	..... 4 mA Per °C
Temperature Operating Range	..... 0 – 55 °C
Maximum Continuous Sensing	
Current (Internal Sensing)	..... 16 ADC
Maximum Intermittent Sensing	
Current (Internal Sensing)	..... 25 ADC
Output Contact Rating	..... 1.0A – 28 VDC/.5A – 115 VAC
Output Contact Life	
Mechanical	..... 5 Million Operations
Electrical	..... 100,000 Operations (Full Rating)
Dimensions (Inches)	..... 2.80" W x 4.85" L x 1.1" H
Dimensions (mm)	..... 71.10mm x 123.20mm x 28mm

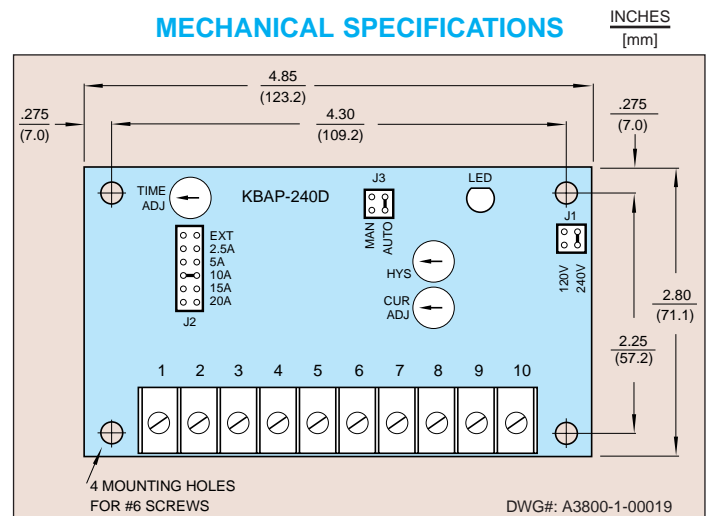
### DESCRIPTION

The KBAP-240D is a multipurpose DC Current Sensing Relay and Overload Protector. It is specifically designed for use with DC motors and speed controls from 1/8 – 3 Hp. The unit can be used with larger or smaller motors by utilizing the external sensing method of connection. KBAP-240D operates by sensing current in the armature circuit. When the preset level is reached, an output relay trips. An adjustable time delay (.2 – 15 secs.) is incorporated, which eliminates nuisance tripping. Manual or automatic reset is provided at the user's option along with an LED, which indicates when the preset current level has been reached. In addition, a hysteresis trimpot is provided which can be used to increase the differential between the pull-in and drop-out points of the output relay. When an overload occurs, the KBAP-240D can be used to shut the system down, sound an alarm, or initiate corrective action before damage occurs. The unit can be operated on either 115 or 230 VAC line voltage, and has five preset current trip points (2.5/5/10/15/20), which can be further adjusted with a built-in trimpot. The unit is compact in size, measuring only 2.80" x 4.85" x 1.1" and easily connects via its barrier terminal block.

### BASIC WIRING



### MECHANICAL SPECIFICATIONS



© 1997 KB Electronics, Inc.



48 A Complete Line of Motor Drives

**KB ELECTRONICS, INC.**  
distributed by ELECTRO SALES CO., INC.  
100 Fellsway West, Somerville MA 02145 U.S.  
Phone: +1 (617) 666-0500 ~ Fax: +1 (617) 628-2800  
www.electrosales.com/kb